

VWM studio



# SIGNAGE COLLECTION

VISIBLE  
THROUGH  
TIMELESS  
DESIGN

## COLLECTION

---

A-Frame Signs	01-04
A-Sheet Signs	05-10
Wall Signs	11-12
Add On Signs	13-14
Magnetic Letters Sets	15-16
Magnetic Digits Sets	17-18
Color Chart	19-22
Magnetic Poster	23-24
Sticker Service	25-26
Shop Display	27-28



# OUR STORY

At VWM Studio, we create premium signage and display solutions for businesses that care about atmosphere, detail, and first impressions.

From our studio, we design and produce timeless pieces that combine functionality with refined sophistication.

No MOQ. Single pieces available from our standard collection; high-volume production available for both standard and custom items.



# A-FRAME SIGNS



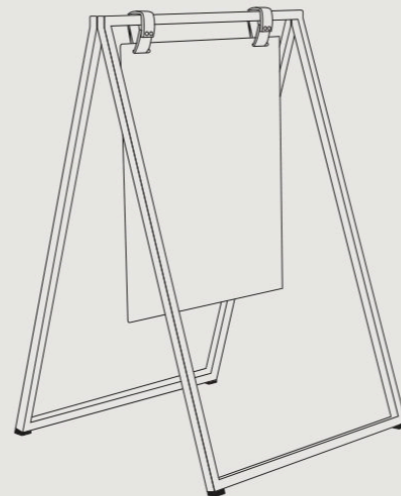
# A-FRAME SIGNS

Our classic A-Frame Sidewalk Sign. A timeless piece that combines visibility with understated elegance. Built to stand confidently outdoors and perform well in windy conditions when fully opened.



## A-FRAME SIGNS

---



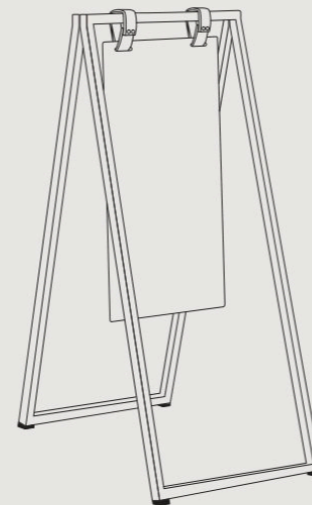
MATERIAL	<i>Powdercoated Steel</i>
COLOURS	<i>See Colour Chart</i>
WEIGHT	<i>12 kg</i>
GRAPHICS	<i>Magnetic Letters &amp; Digits Sets</i> <i>Chalk Marker (only on black &amp; chestnut)</i> <i>Stickers (plotted)</i> <i>Magnetic poster</i>
DIMENSIONS	<i>Frame - 57 x 100 cm</i> <i>Display - 45 x 60 cm</i> <i>50 x 70 cm (black only)</i> <i>Print Area - 43 x 56 or 48 x 66 cm</i>

# A-FRAME SLIM

The narrow version of our classic sidewalk sign, offering high visibility in a space saving design. Ideal for narrow sidewalks and compact storefronts.



## A-FRAME SLIM



MATERIAL	<i>Powdercoated Steel</i>
COLOURS	<i>See Colour Chart</i>
WEIGHT	<i>9 kg</i>
GRAPHICS	<i>Magnetic Letters &amp; Digits Sets</i> <i>Chalk Marker (only on black &amp; chestnut)</i> <i>Stickers (plotted)</i> <i>Magnetic Poster</i>
DIMENSIONS	<i>Frame - 38 x 100 cm</i> <i>Display - 30 x 60 cm</i> <i>Print Area - 28 x 56 cm</i>

# A-SHEET SIGNS

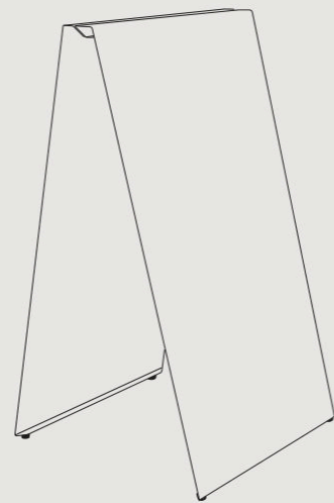


# A-SHEET MIRRORED

Sophisticated mirrored  
A-sheet with a subtle curve  
and slim, clean lines from  
folded stainless steel sheets.  
A striking eye-catcher,  
customizable with your  
logo or message.



## A-SHEET SIGNS



MATERIAL *Polished Stainless Steel*

COLOURS *Mirrored Stainless Steel*

WEIGHT *18 kg*

GRAPHICS *Chalk Marker (only on black & chestnut)  
Stickers (plotted)*

DIMENSIONS *Display - 53 x 97 cm  
Print Area - 51 x 96 cm*

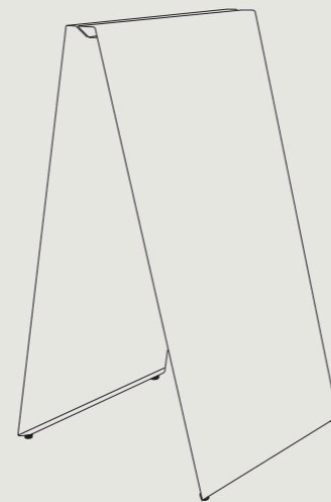
Material note:  
Due to the nature of polished stainless  
steel, subtle polishing marks or minor  
production traces may be visible under  
close inspection.

# A-SHEET SIGNS

Sophisticated A-frame signage with a subtle curve and refined, clean lines. Crafted from folded steel sheets, its seamless surfaces create a clean, integrated appearance, allowing your message to take center stage. A true design eye-catcher.



## A-SHEET SIGNS



MATERIAL *Powdercoated Steel*

COLOURS *See Colour Chart*

WEIGHT *18 kg*

GRAPHICS *Magnetic Letters & Digits Sets*  
*Chalk Marker (only on black & chestnut)*  
*Stickers (plotted)*  
*Magnetic Poster*

DIMENSIONS *Display - 53 x 97 cm*  
*Print Area - 51 x 96 cm*

# A-SHEET SLIM

The narrow version of our classic A-Sheet sign, offering high visibility in a space saving design. Ideal for narrow sidewalks and compact storefronts.



## A-SHEET SIGNS

---



MATERIAL	<i>Powdercoated Steel</i>
COLOURS	<i>See Colour Chart</i>
WEIGHT	<i>13 kg</i>
GRAPHICS	<i>Magnetic Letters &amp; Digits Sets</i> <i>Chalk marker (only on black &amp; chestnut)</i> <i>Stickers (plotted)</i> <i>Magnetic Poster</i>
DIMENSIONS	<i>Display - 53 x 97 cm</i> <i>Print Area - 28 x 96 cm</i>

# WALL SIGNS



# WALL SIGNS

Premium steel wall sign with a handcrafted oak handle, designed to present messages, logos and information with clarity and refinement in both indoor and outdoor spaces. Ideal for standalone use or arranged side by side to create a strong, cohesive visual statement.



## WALL SIGNS

---



MATERIAL	<i>Powdercoated Steel Display Sheet &amp; Brackets Oak Handle Bar (Natural or Charcoal)</i>
COLOURS	<i>See Colour Chart</i>
WEIGHT	<i>5 kg</i>
GRAPHICS	<i>Magnetic Letters &amp; Digits Sets Chalk marker (only on black &amp; chestnut) Stickers (plotted) Magnetic Poster</i>
DIMENSIONS	<i>Display - 45 x 60 cm 50 x 70 cm (black only) Print Area - 43 x 56 or 48 x 66 cm</i>

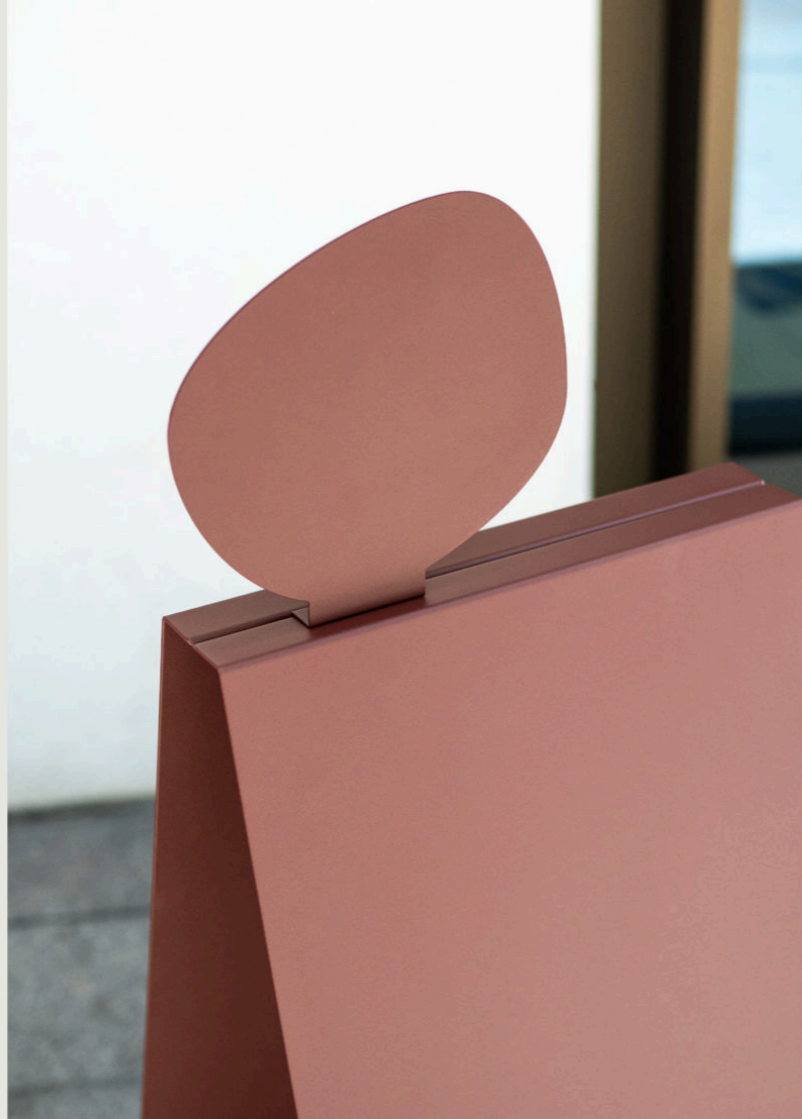
# ADD ON SIGNS



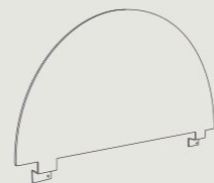
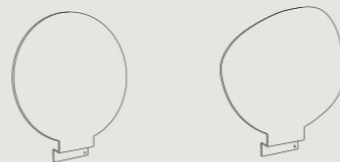
## ADD ON SIGNS

Extend your sign with one of the Add-On Signs. Designed to easily attach when unfolding your sidewalk sign.

No tools needed, just slide it in at the top when unfolding completely to clamp and you're set.



### ADD ON SIGNS



MATERIAL *Powdercoated Steel*

COLOURS *See Colour Chart*

WEIGHT *0,5 kg*

GRAPHICS *Magnetic Letters & Digits Sets*  
*Chalk Marker (only on black & chestnut)*  
*Stickers (plotted)*  
*Magnetic Poster*

DIMENSIONS *Circle - 21,5 cm*  
*Pebble - 23 cm*  
*Banner - 54 x 9,5 cm*  
*Half Moon - 54 x 29 cm*

## MAGNETIC SETS

66 magnetic uppercase characters designed for creative messaging across our signage collection. Character width varies. The full character set can be found on the following page.



## MAGNETIC LETTERS SETS

AAAA BB CC  
DD EEEEE FF  
GG HH IIII JJ  
KK LLL MM NNN  
OOOO PP Q RR  
SS TT UU VV  
WW XX YY ZZ  
..... = ?!&

MATERIAL	<i>Magnetic Sheet</i>
COLOURS	<i>White &amp; Near Black</i>
COMPATIBLE	<i>All Sidewalk &amp; Add On Signs (excluding mirrored sign).</i>
CHARACTERS	<i>Set includes 66 pcs. (as shown on the left).</i>
STYLES & SIZE	<i>Lower Case Height 3.5cm (width varies by character). Upper Case Height 5 cm (width varies by character).</i>

## MAGNETIC SETS

Magnetic digit set for custom numbering applications across our signage collection. Digit heights vary, with a maximum height of 3.5 cm. The complete digit set can be found on the following page.



## MAGNETIC DIGITS SET

111111 22222  
333333 444  
444 555555  
555 666666  
7777777 888  
888 999999  
000000000  
000 ○○○○○○ ///////////////  
○○○○○○ ///////////////

MATERIAL	<i>Magnetic Sheet</i>
COLOURS	<i>White &amp; Near Black</i>
COMPATIBLE	<i>All sidewalk &amp; Add On Signs (excluding mirrored sign).</i>
CHARACTERS	<i>Set includes 70 pcs. (as shown on the left).</i>
SIZE	<i>Height 3.5cm (width varies by character).</i>

# COLOUR CHART

Available colours for the standard collection. Looking for a different colour? Alternative RAL classic colours may be available upon request, subject to confirmation.

## A-FRAME SIGNS



## A-FRAME SLIM SIGNS



## ADD ON SIGNS

### ADD ON CIRCLE SIGNS



### ADD ON PEBBLE SIGNS



### ADD ON BANNER SIGNS



### ADD ON HALF MOON SIGN





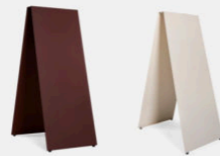
## A-SHEET SIGNS

---



## A-SHEET SLIM SIGNS

---



## WALL SIGNS

---



# MAGNETIC POSTERS

As a service we offer magnetic posters for outside use. A refined and flexible way to communicate, allowing messages, campaigns, and visuals to be updated effortlessly while maintaining a clean and considered appearance.



## MAGNETIC POSTERS

---



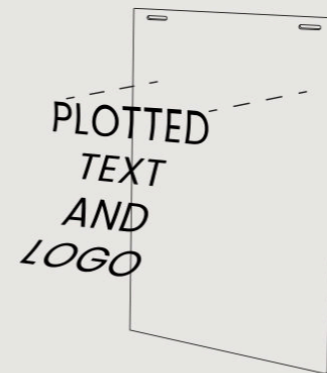
MATERIAL	<i>Magnetic Sheet</i>
GRAPHICS	<i>Create your own design</i>
COMPATIBLE	<i>All Sidewalk Signs (excluding mirrored sign).</i>
SIZE	<i>Choose the desired size (The example in the image is 43x56 cm).</i>

## STICKER SERVICE

A flexible way to customise premium signage, our sticker service enables customers to apply their own creative vision. Supplied artwork is produced with exceptional attention to detail, resulting in graphics that integrate seamlessly with the sign while maintaining a refined and professional appearance.



## STICKERS ON SIGNS



MATERIAL	<i>High Adhesive Sticker Foil</i>
COLOURS	<i>All CMYK Colours</i>
GRAPHICS	<i>Create your design with a min. line thickness of 2 mm. Submit your artwork as an outlined PDF file to receive a digital proof prior to production.</i>
COMPATIBLE	<i>All Sidewalk &amp; Add On Signs.</i>
SIZE	<i>Choose the desired size</i>

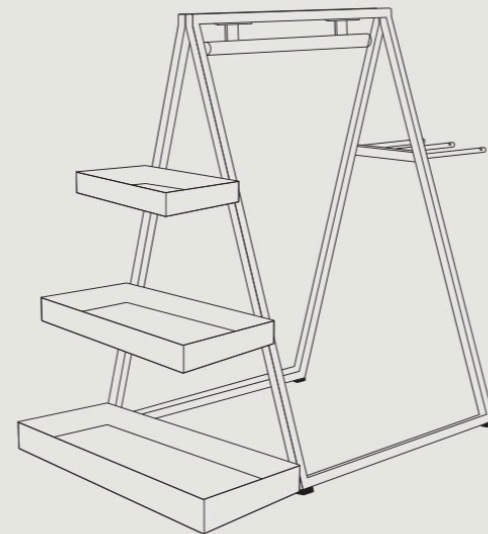
# SHOP DISPLAYS

Designed for brand expansion, our Shop Display System provides a flexible way to showcase products. Its flat-pack design ensures efficient shipping and easy assembly. Available in customizable colours, compatible with our Add-On Signs, and fully customizable upon request.



## SHOP DISPLAY

---



MATERIAL	<i>Powdercoated Steel Oak Bar</i>
COLOURS	<i>Customizable</i>
COMPATIBLE	<i>All Add On Signs</i>
DIMENSIONS	<i>Custom</i>

# Designed to be seen. Built to last.

Premium signage designed  
to bring clarity, character  
and lasting visibility.



Scan to view  
our website.



WWW.VWMSTUDIO.COM  
INFO@VWMSTUDIO.COM  
@VWMSTUDIO

SIGNAGE • CUSTOM SIGNAGE • DISPLAY SOLUTIONS

